

Quick Release Connectors

Steel, for Aluminum Profiles (b-Modular System), Asymmetrical or Symmetrical Mounting Stud

SPECIFICATION

Types

- Type **A**: Asymmetrical mounting stud
- Type **S**: Symmetrical mounting stud

Coding

- **P**: Parallel T-nut
- **R**: Right-angle T-nut

Steel, zinc plated, blue passivated **SZ**

INFORMATION

Quick release connectors GN 25b fasten aluminum profiles together at right angles. Only one profile has to be machined.

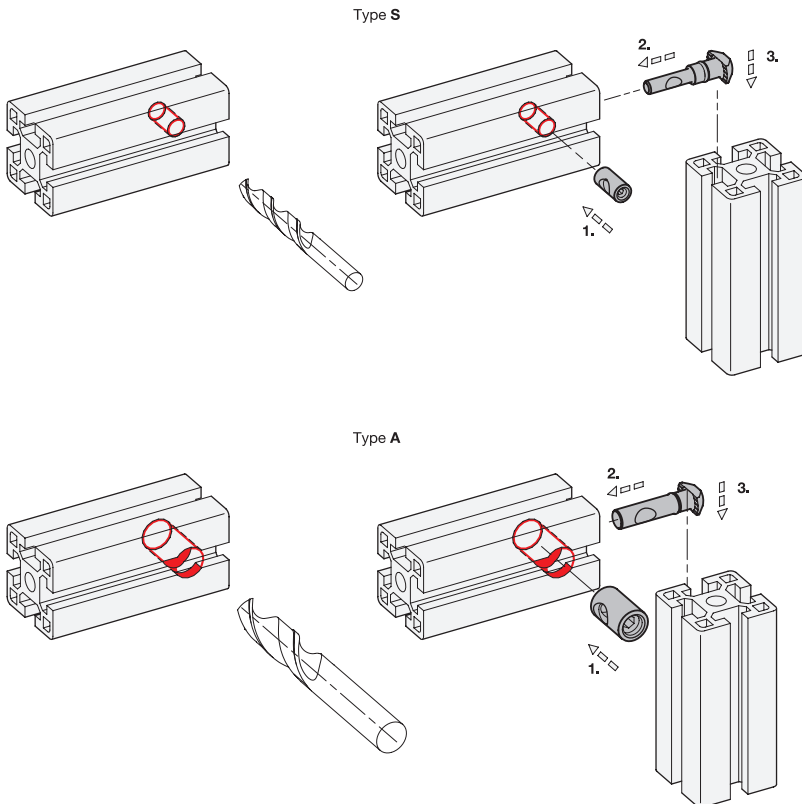
The connection can be freely positioned and slid along the slot. The internal hex used for clamping is situated for especially easy access. If panels are used, they must be suitably pocketed, depending on the type, coding and installation orientation.

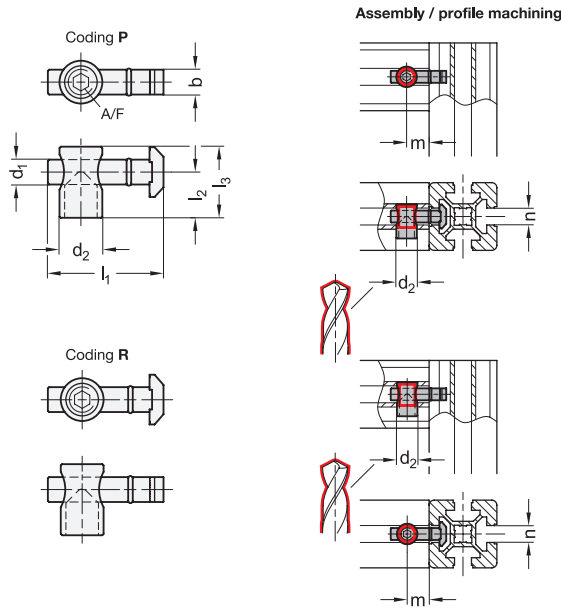
Quick release connectors of type S are used when the slot is to be closed by a cover profile.

Quick release connectors are supplied in bundles. The table shows the quantity included in each bundle.



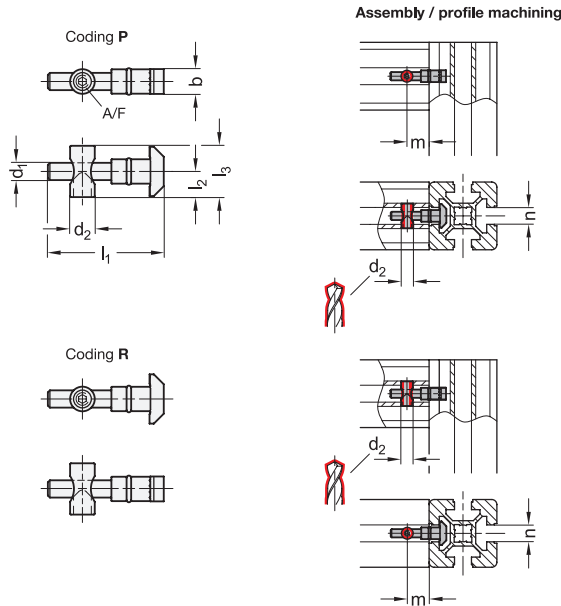
Assembly Instructions / Profile Machining





GN 25b-A

Description	n	Bundle Pieces	b	d1	d2	l1 ≈	l2 ≈	l3	m	A/F	Tightening torque in Nm	
GN 25b-8-A-P-SZ-4	8	4	8	6.8	11	33	14.2	20	18	4	12	88
GN 25b-10-A-P-SZ-4	10	4	10	9.8	17	45.5	18.4	28	22.5	6	25	224
GN 25b-8-A-R-SZ-4	8	4	8	6.8	11	33	14.2	20	18	4	12	88
GN 25b-10-A-R-SZ-4	10	4	10	9.8	17	45.5	18.4	28	22.5	6	25	224



GN 25b-S

Description	n	Bundle Pieces	b	d1	d2	l1 ≈	l2 ≈	l3	m	A/F	Tightening torque in Nm	
GN 25b-10-S-P-SZ-4	10	4	10	6.8	10	46	10.3	20	22.5	3	6	116
GN 25b-10-S-R-SZ-4	10	4	10	6.8	10	46	10.3	20	22.5	3	6	116



Aluminum profiles 22